



GAZCO

Gas and Electric Stoves





# A Warm Welcome

Nothing creates an inviting atmosphere quite like a Gazco stove. The centrepiece of any home, it will add warmth and character to any room or living space – even if you don't have a chimney! Whether you want to achieve a minimalist, contemporary look, or have your heart set on a more traditional stove, this brochure will help you make the perfect choice, whatever your interior tastes.

From the highly efficient contemporary Gas Loft range with all its style and elegance, to the stunning cast iron detail on our traditional Chesterfield stoves, these innovative designs will appeal to any modern or traditional home.

There is also a range of highly realistic, electric log-effect stoves featuring Gazco's Chromalight® technology. These electric versions open up new possibilities such as conservatories, kitchens, dining rooms and bedrooms for you to have the warmth and character of a Gazco stove in your home.



Loft Gas with Steel Log Store.





## Contents

The Gazco Pedigree .....	04
Expert Retailer Network .....	05
Traditional Stoves .....	06 - 07
Chesterfield 5 .....	08 - 11
Sheraton 5 .....	12 - 15
Marlborough2 .....	16 - 19
Stockton .....	20 - 25
Huntingdon .....	26 - 33
Contemporary Styles .....	34 - 35
Loft .....	36 - 43
Vogue Midi & Midi T .....	44 - 51
CL 5 & 8 .....	52 - 55
Stove Benches .....	56
Balanced Flue Systems .....	57
Home & Flue Requirements .....	58 - 59
Remote Controls .....	60
Additional Information .....	61
Technical Information .....	62 - 69
Other Stoves and Fires .....	70

We are proud to have been recognised as an award-winning manufacturer, for our high-quality products and innovative technology. **Find out more at [gazco.com/awards](https://www.gazco.com/awards)**



### Cover Images

**Left:** Sheraton 5 Gas with Grafton Limestone Mantel and Belgravia polished cast front.

**Right:** Loft Gas with Steel Log Store.

# The Gazco Pedigree...

Our gas and electric stoves are innovatively designed, solidly built and meticulously tested to ensure they continue to heat your home for many years to come.

## Innovation in Design

With creativity and innovation at the heart of what we do, our expert design team continues to create unique, industry leading stoves that both inspire and endure. From the moment the first concept is sketched, through to the mapping of airflow using cutting-edge software, stove design is a science we have been perfecting since 1988.

We continually invest in our research and development facilities to ensure our team is at the forefront of fire design. Our pioneering concepts and technologies make our gas and electric models some of the most sought after stoves available.

## Quality Construction

Built with the finest quality materials, each stove is engineered here in the UK. Cast iron and heavy gauge steel are used across our ranges to ensure each stove is built to the highest tolerances. Cast iron allows for the casting of intricate designs, making it perfect for traditional stoves. Heavy gauge steel is also an outstanding choice for stove construction, offering greater scope for design thanks to its versatile nature.

## Rigorously Tested

Gazco is an ISO9001 and ISO14001 accredited company. Our rigorous quality control system ensures that all our appliances are safety checked and that they comply with the appropriate regulations, with all stoves in this brochure bearing both the UKCA and CE mark. Similarly, our environmental management systems ensure we work in a sustainable manner, whilst endeavouring to protect the environment by minimising any possible impact from our operations. We are recognised for our continued commitment to technical innovation, high quality products and excellent customer and after-sales care.





## Expert Retailer Network

We take great care to ensure that our stoves are designed, tested and manufactured to the highest possible quality and safety standards. We are just as concerned to make certain that they are sold and installed correctly so that you enjoy years of pleasure from your purchase.

Accordingly, you will find our products are only available from experienced, independent retailers who will be happy to show you a selection of models locally in their showrooms, often fully operational. These independent retailers will discuss your individual requirements both technical (such as sizing the heat output to your room and advising on your flue type) and design, and ensure that you select the most appropriate product for your home. These retailers will also be able to advise on, or assist with, the installation process as well as help provide any after-sales support and servicing your appliance may require in the future.

Whilst we encourage our retailers to promote fireplace products and their outlets via the internet, we do not believe suitable levels of customer care and satisfaction can be obtained from purchasing the product only online and we would strongly recommend that you consider this when undertaking your research and making a purchasing decision. Furthermore, please be aware that we do not offer technical support (beyond our statutory responsibilities) to products bought via nationwide online sales, where this support would normally be offered by one of our qualified, independent retailers.

Furthermore, Gazco fires and stoves purchased from within our Expert Retailer Network will have the additional benefit of a greatly extended warranty period, subject to terms and conditions. Full details can be found at [www.gazco.com](http://www.gazco.com).

You can find and support your nearest retailer by visiting: [www.gazco.com/retailers](http://www.gazco.com/retailers)



## Warranty

Your Gazco Expert Retailer will provide you with a Two Year Warranty for your new gas or electric stove. The warranty for gas stoves can be extended to a period of five years by registering your stove with Gazco. Please note, these warranties exclude certain consumable parts. Stoves purchased outside of Gazco's Expert Retailer Network will carry a standard One Year non-extendable Warranty or the minimum statutory warranty for your country. Full warranty terms and conditions are available to view at [www.gazco.com](http://www.gazco.com).



**WIN** THE COST OF YOUR PRODUCT BACK!\*

by registering your product online for your free extended warranty. See page 61 for details.

Vogue Midi T Electric Stove  
with Log & Pebble fuel  
effects on 180 High Bench





Go to the World





# Traditional Stoves

---

Our traditional stoves combine classic casting details with modern combustion technology. Timelessly styled, they add elegance and character to period and contemporary interiors alike.

Chesterfield 5 .....	08 - 11
Sheraton 5 .....	12 - 15
Marlborough2 .....	16 - 19
Stockton .....	20 - 25
Huntingdon .....	26 - 33



# Chesterfield 5 Gas

Tasteful detailing and an elegant Rose Scroll door handle harmonise with clean lines, sweeping curves and an exceptional flame view.



Chesterfield 5 Gas

	Heat Output & Efficiency			Chimney or Flue Options			Fuel Bed	Lining	Control
	<b>kW</b> HEAT OUTPUT RANGE	<b>E%</b> EFFICIENCY	<b>E</b> EFFICIENCY CLASS	BRICK CHIMNEY	PRE-FABRICATED	BALANCED FLUE	LOGS	ECHOFLAME BLACK GLASS	FULLY-SEQUENTIAL THERMOSTATIC REMOTE
Conventional Flue	1.60 - 4.00kW	76%	D	✓	✓	✗	✓	✓	✓ Page 60
Balanced Flue	1.80 - 4.00kW	90.6%	B	✗	✗	✓	✓	✓	✓ Page 60

### Optional Linerless Flue Kit

This option eliminates the need for the chimney to be fully lined and any associated labour, facilitating a simpler and more cost-effective installation. For more information see page 58.

See page 10 for electric model



Efficiency figures given are based upon the maximum heat output achieved for these models. For additional information, specifications and complete model choices, please see pages 62 onwards.



SEE IT BURNING AT:  
[gazco.com/chesterfieldgas](http://gazco.com/chesterfieldgas)







SEE IT BURNING AT:

[gazco.com/chesterfieldelectric](https://www.gazco.com/chesterfieldelectric)





# Chesterfield 5 Electric

Our signature Chromalight technology projects captivating flame visuals to appear between the highly realistic log effects, whilst illuminating the fuel bed from above and below.



*Chesterfield 5 Electric with Log & Pebble fuel effect and Amber flame setting*

TRADITIONAL STOVES

	Heat Output	Interchangeable Fuel Beds		Lighting Effects			Control
	<b>kW</b> HEAT OUTPUT RANGE	LOG AND PEBBLE	CRYSTAL ICE EFFECT	CHROMALIGHT IMMERSIVE LED SYSTEM	MULTIPLE FLAME EFFECTS	13 FUEL BED LIGHTING COLOURS	PROGRAMMABLE THERMOSTATIC ECO REMOTE
Chesterfield 5 Electric	0.75 - 1.50kW or flame effect only	✓	✓	✓	✓	✓	✓ Page 60

See page 8 for gas models

For additional information, specifications and complete model choices, please see pages 62 onwards.



# Sheraton 5 Gas

Beautifully made, this timeless stove features cast iron bevelling and corning to the door, top plate and base, for aesthetics you can appreciate even when it's off!



Sheraton 5 Gas



	Heat Output & Efficiency			Chimney or Flue Options			Fuel Bed	Lining	Control
	<b>kW</b> HEAT OUTPUT RANGE	<b>E%</b> EFFICIENCY	<b>☰</b> EFFICIENCY CLASS	 BRICK CHIMNEY	 PRE-FABRICATED	 BALANCED FLUE	 LOGS	 ECHOFLAME BLACK GLASS	 FULLY-SEQUENTIAL THERMOSTATIC REMOTE
Conventional Flue	1.60 - 4.00kW	76%	D	✓	✓	✗	✓	✓	✓ Page 60
Balanced Flue	1.80 - 4.00kW	90.6%	B	✗	✗	✓	✓	✓	✓ Page 60

Efficiency figures given are based upon the maximum heat output achieved for these models. For additional information, specifications and complete model choices, please see pages 62 onwards.

## Optional Linerless Flue Kit

This option eliminates the need for the chimney to be fully lined and any associated labour, facilitating a simpler and more cost-effective solution. For more information see page 58.

See page 14 for electric model

See page 4 for additional image





SEE IT BURNING AT:  
[gazco.com/sheratongas](http://gazco.com/sheratongas)





SEE IT BURNING AT:  
[gazco.com/sheratonelectric](https://www.gazco.com/sheratonelectric)



*Sheraton 5 Electric with Log & Pebble fuel effect  
and Amber flame setting*

# Sheraton 5 Electric

With its mesmerising display, the Sheraton 5 electric lets you mix and match fuel effects to create a bespoke focal point to rival the allure of a real woodburner.



Sheraton 5 Electric with Log & Pebble fuel effect and Amber flame setting with Grafton Limestone mantel

	Heat Output	Interchangeable Fuel Beds		Lighting Effects			Control
	<b>kW</b> HEAT OUTPUT RANGE	 LOG AND PEBBLE	 CRYSTAL ICE EFFECT	 CHROMALIGHT IMMERSIVE LED SYSTEM	 MULTIPLE FLAME EFFECTS	 13 FUEL BED LIGHTING COLOURS	 PROGRAMMABLE THERMOSTATIC ECO REMOTE
Sheraton 5 Electric	0.75 - 1.50kW or flame effect only	✓	✓	✓	✓	✓	✓ Page 60

See page 12 for gas models

For additional information, specifications and complete model choices, please see pages 62 onwards.





SEE IT BURNING AT:

[gazco.com/marlborough2gas](https://www.gazco.com/marlborough2gas)



# Marlborough2 Gas

Country or city, traditional or contemporary, the innovative Gas Marlborough2 has the flexibility to suit your lifestyle and your décor. With its expansive viewing windows, enjoy the dancing flames and warm ambience from the comfort of your sofa.



Medium Gas Marlborough2

	Heat Output & Efficiency			Chimney or Flue Options			Fuel Bed	Lining	Control Options (Page 60)		
	kW HEAT OUTPUT RANGE	E% EFFICIENCY	EFFICIENCY CLASS	BRICK CHIMNEY	PRE-FABRICATED	BALANCED FLUE	LOGS	VERMICULITE	MANUAL	STANDARD UPGRADEABLE REMOTE	PROG. THERMOSTATIC UPGRADEABLE REMOTE
Medium - Conventional Flue	1.80 - 4.80kW	78%	E	✓	✓	✗	✓	✓	✓	✓	✓
Medium - Balanced Flue	2.70 - 5.50kW	90.8%	B*	✗	✗	✓	✓	✓	✓	✓	✓



See page 18 for electric models

Efficiency figures given are based upon the maximum heat output achieved for these models. For additional information, specifications and complete model choices, please see pages 62 onwards. \* When using Programmable Thermostatic Remote



# Marlborough2 Electric









Featuring the same distinctive styling as the gas version, the Marlborough2 electric comes in two sizes, and offer an amazingly realistic flame effect with or without heat – all at the touch of a button.



Marlborough2 Medium Electric with Log & Pebble fuel effect and Amber flame setting



Marlborough2 Small Electric Stove with Log & Pebble fuel-effect and Amber flame setting

	Heat Output	Interchangeable Fuel Beds		Lighting Effects			Control
	 <b>kW</b> HEAT OUTPUT RANGE	 LOG AND PEBBLE	 CRYSTAL ICE EFFECT	 CHROMALIGHT IMMERSIVE LED SYSTEM	 MULTIPLE FLAME EFFECTS	 13 FUEL BED LIGHTING COLOURS	 PROGRAMMABLE THERMOSTATIC ECO REMOTE
Marlborough2 Electric Small & Medium 	1.00 - 2.00kW or flame effect only	✓	✓	✓	✓	✓	✓ Page 60

 See page 16 for gas models

For additional information, specifications and complete model choices, please see pages 62 onwards.

SEE IT BURNING AT:  
[gazco.com/marlborough2electric](http://gazco.com/marlborough2electric)







SEE IT BURNING AT:  
[gazco.com/stockton2gas](http://gazco.com/stockton2gas)



# Stockton2 Gas

Using cast iron for the door and heavy gauge steel for the body, Gas Stockton2 stoves combine simple, understated lines with Gazco's superb living flame technology. See page 22 for Stockton 5 model.



Medium Gas Stockton2 conventional flue



Small Gas Stockton2 balanced flue

	Heat Output & Efficiency			Chimney or Flue Options			Fuel Bed	Lining	Control Options (Page 60)		
	kW HEAT OUTPUT RANGE	E% EFFICIENCY	EFFICIENCY CLASS	BRICK CHIMNEY	PRE-FABRICATED	BALANCED FLUE	LOGS	VERMICULITE	MANUAL	STANDARD UPGRADEABLE REMOTE	PROG. THERMOSTATIC UPGRADEABLE REMOTE
Small - Conventional Flue	1.20 - 2.30kW	76%	E	✓	✓	✗	✓	✓	✓	✓	✓
Small - Balanced Flue	1.20 - 2.50kW	85.1%	C*	✗	✗	✓	✓	✓	✓	✓	✓
Medium - Conventional Flue	1.80 - 4.80kW	78%	E	✓	✓	✗	✓	✓	✓	✓	✓
Medium - Balanced Flue	2.70 - 5.50kW	90.8%	B*	✗	✗	✓	✓	✓	✓	✓	✓



See page 24 for electric models

Efficiency figures given are based upon the maximum heat output achieved for these models. For additional information, specifications and complete model choices, please see pages 62 onwards.

\* When using Programmable Thermostatic Remote





# Stockton 5 Gas

With authentic woodburning stove styling, right down to the hinged door with handle, the Gas Stockton 5 is conveniently sized between the small and medium models featured on the previous page.



Gas Stockton 5 balanced flue with log-effect



Gas Stockton 5\* conventional flue with coal-effect

	Heat Output & Efficiency			Chimney or Flue Options			Fuel Bed		Lining	Control Options (Page 60)		
	kW HEAT OUTPUT RANGE	E% EFFICIENCY	EFFICIENCY CLASS	BRICK CHIMNEY	PRE-FABRICATED	BALANCED FLUE	LOGS	COALS	POLISHED STAINLESS STEEL	MANUAL	STANDARD UPGRADEABLE REMOTE	PROG. THERMOSTATIC UPGRADEABLE REMOTE
Conventional Flue	1.40 - 3.00kW	73%	E	✓	✓	✗	✗	✓	✓	✓	✓	✓
Balanced Flue	2.20 - 3.50kW	91.8%	B*	✗	✗	✓	✓	✗	✓	✓	✓	✓



See page 24 for electric models

Efficiency figures given are based upon the maximum heat output achieved for these models. For additional information, specifications and complete model choices, please see pages 62 onwards.

\* When using Programmable Thermostatic Remote † Please note this is a viable installation in stone, but not suitable for combustible materials.



# Stockton Electric

The Stockton Electric range suits both the modern and traditional home, with classic good looks and a striking three-dimensional flame effect for increased realism.



Stockton 5 Electric Stove



Stockton2 Small Electric with Log & Pebble fuel effect and Amber flame setting

	Heat Output	Interchangeable Fuel Beds		Lighting Effects			Control
	<b>kW</b>						
	HEAT OUTPUT RANGE	LOG AND PEBBLE	CRYSTAL ICE EFFECT	CHROMALIGHT IMMERSIVE LED SYSTEM	MULTIPLE FLAME EFFECTS	13 FUEL BED LIGHTING COLOURS	PROGRAMMABLE THERMOSTATIC ECO REMOTE
Stockton Electric (Small, 5 and Medium)	1.00 - 2.00kW or flame effect only	✓	✓	✓	✓	✓	✓ Page 60

See pages 20-23 for gas models

For additional information, specifications and complete model choices, please see pages 62 onwards.

SEE IT BURNING AT:  
[gazco.com/stocktonelectric](https://gazco.com/stocktonelectric)



Stockton 5 Electric with Log & Pebble  
fuel effect and Amber flame setting





SEE IT BURNING AT:  
[gazco.com/huntingdon20gas](https://gazco.com/huntingdon20gas)



# Huntingdon 20 Gas

The compact Gas Huntingdon 20's proportions make it perfect for British fireplace openings, whilst the choice of a clear or tracery door further expands the styling options.



Gas Huntingdon 20 with Tracery Door in Matt Black

	Heat Output & Efficiency			Chimney or Flue Options			Fuel Bed	Lining	Styling Options		Control Options (Page 60)		
	<b>kW</b> HEAT OUTPUT RANGE	<b>E%</b> EFFICIENCY	<b>E</b> EFFICIENCY CLASS	BRICK CHIMNEY	PRE-FABRICATED	BALANCED FLUE	LOGS	VERMICULITE	CLEAR & TRACERY DOOR	MATT BLACK	MANUAL	STANDARD UPGRADEABLE REMOTE	PROG. THERMOSTATIC UPGRADEABLE REMOTE
Conventional Flue	1.20 - 2.30kW	76%	E	✓	✓	✗	✓	✓	✓	✓	✓	✓	✓

Efficiency figures given are based upon the maximum heat output achieved for these models. For additional information, specifications and complete model choices, please see pages 62 onwards.

\* When using Programmable Thermostatic Remote



See page 32 for electric models



# Huntingdon 30 Gas

The Gas Huntingdon 30 offers elegant Gothic styling, and with its beautiful flame picture, provides ample warmth and style to any interior.



Gas Huntingdon 30 with Tracery Door in Matt Black

	Heat Output & Efficiency			Chimney or Flue Options			Fuel Bed	Lining	Styling Options		Control Options (Page 60)		
	kW HEAT OUTPUT RANGE	E% EFFICIENCY	EFFICIENCY CLASS	BRICK CHIMNEY	PRE-FABRICATED	BALANCED FLUE	LOGS	VERMICULITE	CLEAR & TRACERY DOOR	MATT BLACK	MANUAL	STANDARD UPGRADEABLE REMOTE	PROG. THERMOSTATIC UPGRADEABLE REMOTE
Conventional Flue	1.50 - 3.10kW	75%	E	✓	✓	✗	✓	✓	✓	✓	✓	✓	✓
Balanced Flue	2.10 - 3.80kW	95.4%	A*	✗	✗	✓	✓	✓	✓	✓	✓	✓	✓

Efficiency figures given are based upon the maximum heat output achieved for these models. For additional information, specifications and complete model choices, please see pages 62 onwards.

\* When using Programmable Thermostatic Remote

See page 32 for electric models



Gas Huntingdon 30 with Tracery Door in Matt Black

SEE IT BURNING AT:  
[gazco.com/huntingdon30gas](http://gazco.com/huntingdon30gas)





# Huntingdon 40 Gas

The largest model in the Huntingdon range, the Gas Huntingdon 40 is perfectly at home in big open fireplaces or spacious interiors.



Gas Huntingdon 40 with Tracery Door in Matt Black

	Heat Output & Efficiency			Chimney or Flue Options			Fuel Bed	Lining	Styling Options		Control Options (Page 60)		
	<b>kW</b> HEAT OUTPUT RANGE	<b>E%</b> EFFICIENCY	<b>E</b> EFFICIENCY CLASS	BRICK CHIMNEY	PRE-FABRICATED	BALANCED FLUE	LOGS	VERMICULITE	CLEAR & TRACERY DOOR	MATT BLACK	MANUAL	STANDARD UPGRADEABLE REMOTE	PROG. THERMOSTATIC UPGRADEABLE REMOTE
Conventional Flue	1.80 - 4.80kW	78%	E	✓	✓	✗	✓	✓	✓	✓	✓	✓	✓
Balanced Flue	2.70 - 5.50kW	90.8%	B*	✗	✗	✓	✓	✓	✓	✓	✓	✓	✓

Efficiency figures given are based upon the maximum heat output achieved for these models. For additional information, specifications and complete model choices, please see pages 62 onwards.

\* When using Programmable Thermostatic Remote

See page 32 for electric models

See page 6 for additional image



SEE IT BURNING AT:  
[gazco.com/huntingdon40gas](http://gazco.com/huntingdon40gas)





# Huntingdon Electric

The fine castings of the Huntingdon Electric range are brought to life with Gazco's Chromalight® Immersive LED System, offering all the fireside ambience of real flames.



Huntingdon 30 Electric with Tracery Door in Matt Black with Log & Pebble fuel effect and Amber flame setting



Huntingdon 20 Electric with Tracery Door in Matt Black with Log & Pebble fuel effect and Amber flame setting

	Heat Output	Interchangeable Fuel Beds		Lighting Effects			Styling Options		Control
	<b>kW</b>								
	HEAT OUTPUT RANGE	LOG AND PEBBLE	CRYSTAL ICE EFFECT	CHROMALIGHT IMMERSIVE LED SYSTEM	MULTIPLE FLAME EFFECTS	13 FUEL BED LIGHTING COLOURS	CLEAR & TRACERY DOOR	MATT BLACK	PROGRAMMABLE THERMOSTATIC ECO REMOTE
Huntingdon Electric	1.00 - 2.00kW or flame effect only	✓	✓	✓	✓	✓	✓	✓	✓ Page 60

For additional information, specifications and complete model choices, please see pages 62 onwards.

See pages 26-31 for gas models

SEE IT BURNING AT:  
[gazco.com/huntingdonelectric](https://www.gazco.com/huntingdonelectric)



Huntingdon 40 Electric with Clear Door in Matt Black with Log & Pebble fuel effect and Amber flame setting. Shown with Claremont Limestone Mantel.









# Contemporary Stoves

---

Our contemporary stove collection presents captivating designs with elegant, minimalist styling. Adding a signature piece to any setting these designer stoves feature expansive viewing windows for an uninterrupted view of the flames.

Loft .....	36 - 43
Vogue .....	44 - 51
CL .....	52 - 55



# Loft | Gas Stove Range

Clear-cut lines and sleek surfaces ensure the Loft's pure design creates a striking focal point in your interior. Reflective black glass frames the stove's tall firebox, subtly contrasting with the matt steel body. Soaring flames dance amongst a highly realistic fuel bed, composed of hand painted logs which are mirrored on all sides by the EchoFlame™ Black glass lining.





## Luxurious Styling Possibilities

Loft stoves can be styled with a variety of accessories. Choose from cleanly styled Plinth and Logstore bases, with Plinth options offered in matching steel. Logstore bases are offered in either steel, as well as smart Castillo grey sandstone, or Woodgrain sandstone.

There is also a wall mounted version, for an ultra-modern floating installation that lends itself perfectly to contemporary settings. Regardless of the mounting options selected, the stove's height can be accentuated with a striking matching steel top section\*.



	<b>kW</b> HEAT OUTPUT RANGE	<b>E%</b> EFFICIENCY	<b>E</b> EFFICIENCY CLASS	<b>BRICK CHIMNEY</b>	<b>PRE-FABRICATED</b>	<b>BALANCED FLUE</b>	<b>WALL MOUNTING OPTION</b>
Conventional Flue 	2.00 - 4.40kW	78%	D	✓	✓	✗	✗
Balanced Flue 	2.40 - 4.50kW	94.3%	A	✗	✗	✓	✓

## Optional Linerless Flue Kit

The Loft is also compatible with our optional linerless flue kit. This eliminates the need for the chimney to be fully lined and any associated labour, facilitating a simpler and more cost effective solution. For information see page 58.

\*Please note, when fitted with a Top Section, top exit 'up and out' installations are not compatible if termination is below the height of the Top Box. For all horizontal installations that fall within the height of the Top Box, a rear exit termination is required.

Loft with Steel Log Store and Top Section (rear exit)



CONTEMPORARY STOVES

SEE IT BURNING AT:  
[gazco.com/loft](http://gazco.com/loft)



# Loft Gas Steel Styling Options

The Loft can be tailored to your home with a host of styling options including Plinth and Logstore bases in matching matt black steel. Depending on your installation type, a tall top section can be added to accentuate the stove's height.



	Heat Output & Efficiency			Chimney or Flue Options			Fuel Bed	Lining	Control	Styling Options				
	<b>kW</b> HEAT OUTPUT RANGE	<b>E%</b> EFFICIENCY	<b>E</b> EFFICIENCY CLASS	BRICK CHIMNEY	PRE-FABRICATED	BALANCED FLUE	LOGS	ECHOFLAME BLACK GLASS	PROGRAMMABLE THERMOSTATIC REMOTE	STEEL PLINTH & LOG STORE BASE	STEEL TOP SECTION*	SANDSTONE LOG STORE BASE	WALL MOUNTING OPTION	STOVE BENCH OPTION
Conventional Flue	2.00 - 4.40kW	78%	D	✓	✓	✗	✓	✓	✓ Page 60	✓ Page 37	✓ Page 37	✓ Page 41	✗	✓ Page 56
Balanced Flue	2.40 - 4.50kW	94.3%	A	✗	✗	✓	✓	✓	✓ Page 60	✓ Page 37	✓ Page 37	✓ Page 41	✓ Page 42	✓ Page 56

Efficiency figures given are based upon the maximum heat output achieved for these models. For additional information, specifications and complete model choices, please see pages 62 onwards.

See pages 5, 34, 69 for additional images

\*Please note, when fitted with a Top Section, top exit 'up and out' installations are not compatible if termination is below the height of the Top Box. For all horizontal installations that fall within the height of the Top Box, a rear exit termination is required.

SEE IT BURNING AT:  
[gazco.com/loft](http://gazco.com/loft)







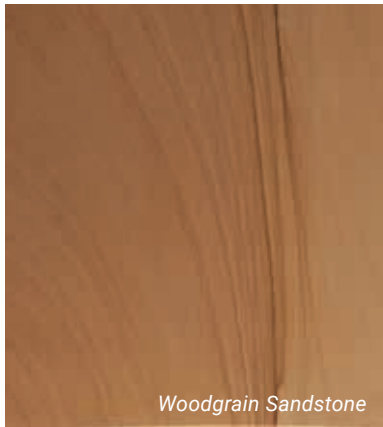
SEE IT BURNING AT:  
[gazco.com/loft](https://www.gazco.com/loft)





# Loft Gas Stone Base Options

The Loft's Logstore base options are also available in a choice of Castillo or Woodgrain sandstone. Each stone base is cut from natural sandstone for a beautifully unique appearance.



	Heat Output & Efficiency			Chimney or Flue Options			Fuel Bed	Lining	Control	Styling Options				
	HEAT OUTPUT RANGE	EFFICIENCY	EFFICIENCY CLASS	BRICK CHIMNEY	PRE-FABRICATED	BALANCED FLUE	LOGS	ECHOFLAME BLACK GLASS	PROGRAMMABLE THERMOSTATIC REMOTE	STEEL PLINTH & LOG STORE BASE	STEEL TOP SECTION*	SANDSTONE LOG STORE BASE	WALL MOUNTING OPTION	STOVE BENCH OPTION
Conventional Flue	2.00 - 4.40kW	78%	D	✓	✓	✗	✓	✓	✓ Page 60	✓ Page 37	✓ Page 37	✓ Page 41	✗	✓ Page 56
Balanced Flue	2.40 - 4.50kW	94.3%	A	✗	✗	✓	✓	✓	✓ Page 60	✓ Page 37	✓ Page 37	✓ Page 41	✓ Page 42	✓ Page 56

Efficiency figures given are based upon the maximum heat output achieved for these models. For additional information, specifications and complete model choices, please see pages 62 onwards.

\*Please note, when fitted with a Top Section, top exit 'up and out' installations are not compatible if termination is below the height of the Top Box. For all horizontal installations that fall within the height of the Top Box, a rear exit termination is required.



# Loft Gas Wall Mounted

The balanced flue Loft can be mounted on the wall to achieve an alternative, 'floating' installation, which can be styled with the matching top section when fitted with a rear flue installation.



Loft with optional Wall Mounting Bracket

	Heat Output & Efficiency			Chimney or Flue Options			Fuel Bed	Lining	Control	Styling Options		
	<b>kW</b> HEAT OUTPUT RANGE	<b>E%</b> EFFICIENCY	<b>A</b> EFFICIENCY CLASS	 BRICK CHIMNEY	 PRE-FABRICATED	 BALANCED FLUE	 LOGS	 ECHOFLAME BLACK GLASS	 PROGRAMMABLE THERMOSTATIC REMOTE	 STEEL PLINTH & LOG STORE BASE	 STEEL TOP SECTION*	 WALL MOUNTING OPTION
Balanced Flue	2.40 - 4.50kW	94.3%	A	X	X	✓	✓	✓	✓ Page 60	✓ Page 37	✓ Page 37	✓ Page 42

Efficiency figures given are based upon the maximum heat output achieved for these models. For additional information, specifications and complete model choices, please see pages 62 onwards.

\*Please note, when fitted with a Top Section, top exit 'up and out' installations are not compatible if termination is below the height of the Top Box. For all horizontal installations that fall within the height of the Top Box, a rear exit termination is required.





# Vogue Midi Gas

Classic-meets-contemporary, the elegant Vogue Midi lends itself to all interior styles with its bevelled edges and refined curves. For increased presence, Midline models offer a woodstore base to complement the woodburning aesthetic.



Gas Vogue Midi Midline

	Heat Output & Efficiency			Chimney or Flue Options			Fuel Bed	Lining	Control Options (Page 70)			Styling	Optional Linerless Flue Kit
	kW HEAT OUTPUT RANGE	E% EFFICIENCY	EFFICIENCY CLASS	BRICK CHIMNEY	PRE-FABRICATED	BALANCED FLUE	LOGS	ECHOFLAME BLACK GLASS	MANUAL	STANDARD UPGRADEABLE REMOTE	PROG. THERMOSTATIC UPGRADEABLE REMOTE	STOVE BENCH OPTION	
Conventional Flue	1.60 - 4.30kW	76%	E	✓	✓	✗	✓	✓	✓	✓	✓	✓ Page 56	<i>This option eliminates the need for the chimney to be fully lined and any associated labour, facilitating a simpler, more cost-effective solution. For more details see page 58.</i>
Balanced Flue	1.80 - 4.00kW	90.6%	B*	✗	✗	✓	✓	✓	✓	✓	✓	✓ Page 56	

Efficiency figures given are based upon the maximum heat output achieved for these models. For additional information, specifications and complete model choices, please see pages 62 onwards.

\* When using Programmable Thermostatic Remote

See page 48 for electric models

SEE IT BURNING AT:  
[gazco.com/voguemidigas](http://gazco.com/voguemidigas)







SEE IT BURNING AT:  
[gazco.com/voguemitgas](https://gazco.com/voguemitgas)



# Vogue Midi T Gas

Taking the elegant styling of the smaller Midi range, the Midi T's bevelled cast iron exterior encases a taller firebox that offers a three-sided view of the impressive visuals. This contemporary stove is also available in a Midline version, which features a stylish log store base to add to the wood fire aesthetic.



Gas Vogue Midi T



Gas Vogue Midi T

	Heat Output & Efficiency	Chimney or Flue Options	Fuel Bed	Lining	Control Options (Page 60)	Styling Options	Optional Linerless Flue Kit							
	HEAT OUTPUT RANGE	EFFICIENCY	EFFICIENCY CLASS	BRICK CHIMNEY	PRE-FABRICATED	BALANCED FLUE	LOGS	ECHOFLAME BLACK GLASS	MANUAL	STANDARD UPGRADEABLE REMOTE	PROGRAMMABLE THERMOSTATIC UPGRADEABLE REMOTE	WALL MOUNTING OPTION	STOVE BENCH OPTION	<i>This option eliminates the need for the chimney to be fully lined and any associated labour, facilitating a simpler, more cost-effective solution. For details see page 58.</i>
Conventional Flue	2.00 - 4.40kW	78%	E	✓	✓	✗	✓	✓	✓	✓	✓	✗	✓ Page 56	
Balanced Flue	2.40 - 4.80kW	94.3%	A*	✗	✗	✓	✓	✓	✓	✓	✓	✓	✓ Page 56	

Efficiency figures given are based upon the maximum heat output achieved for these models. For additional information, specifications and complete model choices, please see pages 62 onwards.

\* When using Programmable Thermostatic Remote

See page 50 for electric models





SEE IT BURNING AT:  
[gazco.com/vogueelectric](https://gazco.com/vogueelectric)



# Vogue Midi Electric

Available in two models including the Midline log store version, the Vogue Midi offers a choice of fuel beds as standard including logs, pebbles & crystal-effects, letting you mix and match to create a truly bespoke display.



	Heat Output	Interchangeable Fuel Beds		Lighting Effects			Control	Styling
	<b>kW</b> HEAT OUTPUT RANGE	LOG AND PEBBLE	CRYSTAL ICE EFFECT	CHROMALIGHT IMMERSIVE LED SYSTEM	MULTIPLE FLAME EFFECTS	13 FUEL BED LIGHTING COLOURS	PROGRAMMABLE THERMOSTATIC ECO REMOTE	STOVE BENCH OPTION
Vogue Midi Electric	0.75 - 1.50kW or flame effect only	✓	✓	✓	✓	✓	✓ Page 60	✓ Page 56

For additional information, specifications and complete model choices, please see pages 62 onwards.

See page 60 for additional image

See page 44 for gas models





SEE IT BURNING AT:  
[gazco.com/voguemiditelectric](https://gazco.com/voguemiditelectric)

# Vogue Midi T Electric

A collection of tall contemporary stoves, each featuring windows on either side of the stylish stove body to supplement the large front window ensuring the display is visible from almost any angle.



	Heat Output	Interchangeable Fuel Beds		Lighting Effects			Control	Styling Options
	<b>kW</b> HEAT OUTPUT RANGE	LOG AND PEBBLE	CRYSTAL ICE EFFECT	CHROMALIGHT IMMERSIVE LED SYSTEM	MULTIPLE FLAME EFFECTS	13 FUEL BED LIGHTING COLOURS	PROGRAMMABLE THERMOSTATIC ECO REMOTE	STOVE BENCH OPTION
Vogue Midi T Electric	0.75 - 1.50kW or flame effect only	✓	✓	✓	✓	✓	✓ Page 60	✓ Page 56

For additional information, specifications and complete model choices, please see pages 72 onwards.

See rear cover for additional image

See page 46 for gas models



# CL Gas

CL gas stoves come in two sizes, bringing an option for every room size. Effortlessly bridging the gap between modern and traditional stove design, CL gas stoves balance simplicity with subtle details.



		Heat Output & Efficiency			Chimney or Flue Options			Fuel Bed	Lining	Control Options (Page 60)			Styling
		kW HEAT OUTPUT RANGE	E% EFFICIENCY	EFFICIENCY CLASS	BRICK CHIMNEY	PRE-FABRICATED	BALANCED FLUE	LOGS	VERMICULITE	MANUAL	STANDARD UPGRADEABLE REMOTE	PROG. THERMOSTATIC UPGRADEABLE REMOTE	STOVE BENCH OPTION
CL5 Gas (CF)		1.50 - 3.10kW	75.0%	E	✓	✓	✗	✓	✓	✓	✓	✓	✓ Page 56
CL5 Gas (BF)		2.10 - 3.80kW	95.4%	A*	✗	✗	✓	✓	✓	✓	✓	✓	✓ Page 56
CL8 Gas (CF)		1.80 - 4.80kW	78.0%	E	✓	✓	✗	✓	✓	✓	✓	✓	✓ Page 56
CL8 Gas (BF)		2.70 - 5.50kW	90.8%	B*	✗	✗	✓	✓	✓	✓	✓	✓	✓ Page 56



See page 55 for electric models

Efficiency figures given are based upon the maximum heat output achieved for these models. For additional information, specifications and complete model choices, please see pages 62 onwards.

\* When using Programmable Thermostatic Remote



SEE IT BURNING AT:  
[gazco.com/CLGas](http://gazco.com/CLGas)







SEE IT BURNING AT:  
[gazco.com/clelectric](https://www.gazco.com/clelectric)



# CL Electric

CL electric stoves come in two sizes each featuring our remote controlled Chromalight LED lighting systems for extraordinarily realistic visuals, with an assortment of fuel effects to choose from.



CL5 Electric Stove with Log & Pebble fuel effect and Amber flame setting



CL8 Electric with Log & Pebble fuel effect and Amber flame setting

	Heat Output	Interchangeable Fuel Beds		Lighting Effects			Control	Styling
	<b>kW</b> HEAT OUTPUT RANGE	LOG AND PEBBLE	CRYSTAL ICE EFFECT	CHROMALIGHT IMMERSIVE LED SYSTEM	MULTIPLE FLAME EFFECTS	13 FUEL BED LIGHTING COLOURS	PROGRAMMABLE THERMOSTATIC ECO REMOTE	STOVE BENCH OPTION
CL Electric	1.00 - 2.00kW or flame effect only	✓	✓	✓	✓	✓	✓ Page 60	✓ Page 56

For additional information, specifications and complete model choices, please see pages 62 onwards.

See page 54 for gas models





Gas Vogue Midi T on 100 Low Bench

# Stove Benches

These versatile steel benches are compatible with the Loft, Vision, and Vogue stoves. With a variety of sizes they offer greater design possibilities such as central or offset stove positioning, expanding your styling options.



Product Code	Bench	W (mm)	H (mm)	D (mm)
RVACLB45BHT	45 Low bench	450	250	420
RVACB45BHT	45 High bench	450	350	420
RVACLB100BHT	100 Low bench	1000	250	420
RVACB100BHT	100 High bench	1000	350	420
RVACLB120BHT	120 Low bench	1200	250	420
RVACB120BHT	120 High bench	1200	350	420
RVACLB140BHT	140 Low bench	1400	250	420
RVACB140BHT	140 High bench	1400	350	420
RVACLB180BHT	180 Low bench	1800	250	465
RVACB180BHT	180 High bench	1800	350	465

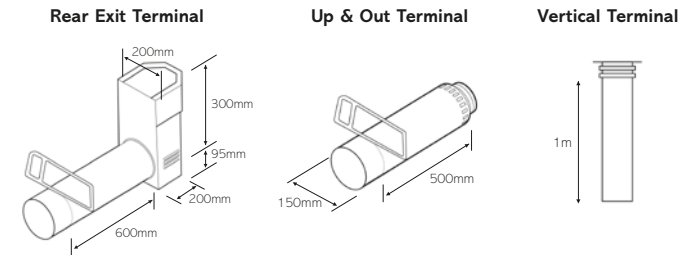
**Deeper Bench Options (500mm Deep)**

RVACLB120BHT	120 Low bench (500mm deep)	1200	250	500
RVACB120BHT	120 High bench (500mm deep)	1200	350	500
RVACLB140BHT	140 Low bench (500mm deep)	1400	250	500
RVACB140BHT	140 High bench(500mm deep)	1400	350	500
RVACLB180BHT	180 Low bench (500mm deep)	1800	250	500
RVACB180BHT	180 High bench (500mm deep)	1800	350	500

# Balanced Flue Gas Stove Systems

The Gazco Balanced Flue system means no chimney is not a problem if you opt for a balanced flue gas stove, as it draws combustion air from outside through its concentric pipe systems. A full range of optional flue components is available to suit configurations shown on page 58.

Gazco have specifically developed a range of flue system components to complement your balanced flue stove. Crafted from 304 grade stainless steel and aluminium with some items additionally offered in anthracite and matt ivory paint finishes. Designed with ease of installation and flexibility in mind, these flue systems simply push together without the requirement for locking bands or screws. Both the inner and outer pipes are secured with easy fit, self locking, high temperature silicone seals. For further information, please speak to your retailer or visit [www.gazco.com](http://www.gazco.com).



## Components for Balanced Flue Models

Basic Stainless Steel Kits	Product Code
Rear exit, horizontal - complete with terminal guard	<b>8526</b>
Top exit, up & out for Chesterfield 5, Sheraton 5, Huntingdon 30, Stockton 5, Loft & all Vogues	<b>8523</b>
Top exit, vertical for all Loft & Vogue Midi T	<b>8524</b>
Top exit vertical for Chesterfield 5, Sheraton 5, Huntingdon 30/40, Stockton 5 & Vogue Midi	<b>999-539</b>
45° offset bend (set of two) for use with <b>8524</b>	<b>8530</b>
<b>Basic Anthracite Steel Kits*</b>	
Top exit, up & out for Chesterfield 5, Sheraton 5, Huntingdon 30, Stockton 5, Loft & all Vogues	<b>8523AN</b>
Top exit, vertical for all Loft & Vogue Midi T	<b>8524AN</b>
Top exit vertical for Chesterfield 5, Sheraton 5, Huntingdon 30/40, Stockton 5 & Vogue Midi	<b>999-539AN</b>
45° offset bend (set of two) for use with <b>8524AN</b>	<b>8530AN</b>

Additional Stainless Steel components for top exit (as required)	Product Code
200mm straight (effective length 140mm)	<b>8527</b>
500mm straight (effective length 440mm)	<b>8528</b>
1000mm straight (effective length 940mm)	<b>8529</b>
364-554mm adjustable straight	<b>999-062</b>
15° bend	<b>999-003</b>
30° bend	<b>999-016</b>
45° bend	<b>8507</b>
90° bend	<b>8508</b>
Horizontal flue terminal (wall)	<b>999-105</b>
Vertical flue terminal (roof)	<b>999-141</b>
Fixed wall support	<b>999-072</b>
Adjustable wall support	<b>999-130</b>
External wall finishing plate	<b>999-235</b>

### Terminal Guards

Rear exit	<b>999-159</b>
Horizontal exit	<b>999-201</b>

Aquaseal Flashings	Product Code
125-175mm Aluminium Base EPDM Black to 115°C	<b>FXQ-052</b>
150-300mm Aluminium Base EPDM Black to 115°C	<b>FXQ-053</b>
150-200mm Lead Base EPDM Black to 115°C	<b>FXQ-054</b>
150-250mm Sq Section EPDM Black to 115°C	<b>FXQ-058</b>
150-250mm Sq Section/Metal EPDM Black to 115°C	<b>FXQ-059</b>
EPDM Flashing Fixing Kit	<b>FXQ-059SK</b>

### Lead Flashings

Flat Lead Flashing	<b>999-154</b>
30-40 Degree Lead Flashing	<b>999-161</b>
40-50 Degree Lead Flashing	<b>999-174</b>
45-50 Degree Lead Flashing	<b>999-182</b>
45-50 Degree Ridge Flashing	<b>999-193</b>

### Additional Components

Roof Support Balanced Flue	<b>999-032</b>
Fire Stop Balanced Flue	<b>999-040</b>
Storm Collar Balanced Flue	<b>999-046R</b>
Rear Heat Shield Plate Kit to be used with <b>8526</b> , if required	<b>999-220</b>

### Additional Cast Iron Components for Top Exit

Flue collar (BF), Matt Black	<b>8548</b>
Flue collar (BF), Matt Black - Huntingdon 30 & 40 only	<b>999-347</b>

### Additional Anthracite Steel components for top exit (as required)

200mm straight (effective length 140mm)	<b>8527AN</b>
500mm straight (effective length 440mm)	<b>8528AN</b>
1000mm straight (effective length 940mm)	<b>8529AN</b>
15° bend	<b>999-031</b>
30° bend	<b>999-078</b>
45° bend	<b>8507AN</b>
90° bend	<b>8508AN</b>

\*Note: Terminal lengths are stainless steel.

Please note the Small Balanced Flue model of the Stockton2 is rear flue exit only.

The above information is to assist in your choice of a suitable Gazco stove. This is not intended to be all the information required to install your stove. This can be obtained from your local Gazco retailer or you can download the full installation instructions from the Gazco website at [www.gazco.com](http://www.gazco.com).



# Your Home and Flue Requirements

When selecting your stove, your local Gazco retailer will need to make sure it's suitable for your home. Firstly, you need to know what fuel type you will be using. Secondly, you will need to be aware of what type of chimney or flue you have. If you do not have a chimney then don't worry, Gazco have models developed to suit your home too!

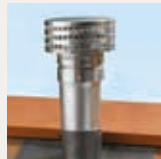
## Conventional Flue - Gas

Conventional flue systems are easily recognisable as either a conventional brick or stone chimney or pre-fabricated chimney system. Should your home have none of these at present, it is usually possible to have a pre-fabricated system installed if required.



Brick or Stone Chimney  
(Class 1)

The chimney stack rises well above the roofline and is topped by a traditional chimney pot or gas terminal. This type of chimney relies on the natural circulation of heated air to expel the products of combustion up your chimney.

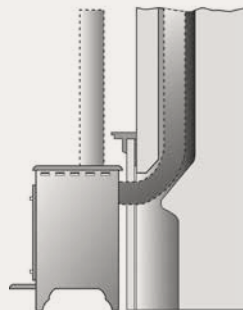


Pre-Fabricated Flues  
(Class 1 & 2)

You will see a metal flue cowl on your roof. Some are all metal whilst others may terminate through a short rectangular pot (but without a chimney stack). These flues create the same circulation of heated air as a brick or stone chimney.

## Rigid or Flexible Metal Flue Systems

With this flue system rigid metal tubes, or a combination of rigid and flexible metal tubes, extend vertically directly from the stove to the outside of the property. This may be either straight through the ceiling or roof with the flue pipe exposed, or by using the channel of a chimney or a studwork enclosure. The products of combustion are carried up the flue by natural convection.

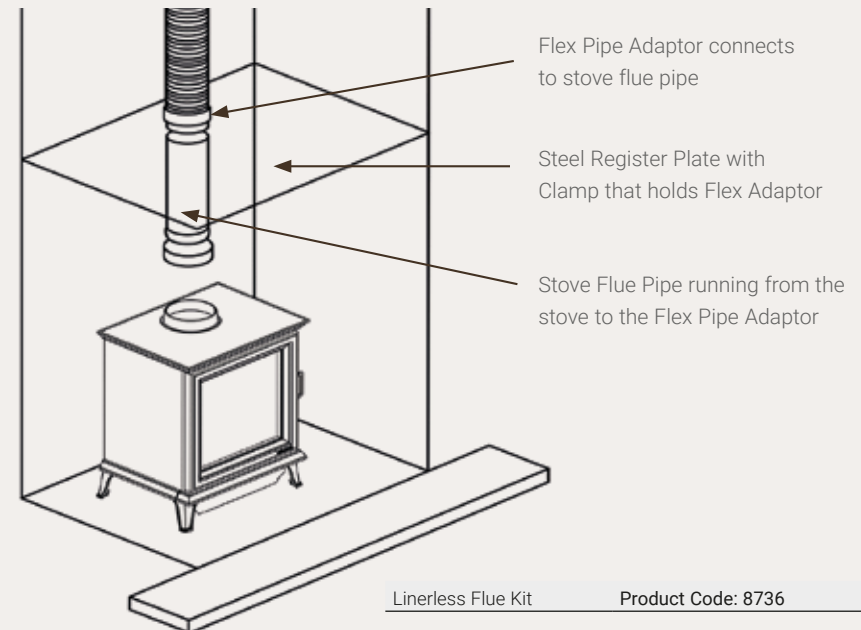


## Optional Linerless Flue Kit

A selection of Gazco conventional flue gas stoves are compatible with our optional linerless flue kit. At just 0.5 metres long, this short piece of flexible, stainless steel flue pipe and debris deflector has been specifically designed to be slotted into your masonry chimney. This eliminates the need for the chimney to be fully lined and any associated labour, facilitating a simpler and more cost effective solution.

### The Optional Linerless Flue Kit is compatible with:

- Chesterfield 5 Gas
- Sheraton 5 Gas
- Vogue Midi Gas Range
- Vogue Midi T Gas Range
- Loft Range



## Balanced Flue - Gas

Balanced flues models are completely sealed from the room into which they are installed (so there are no draughts and heating efficiency is increased) and a twin-wall pipe vents directly to an outside wall.



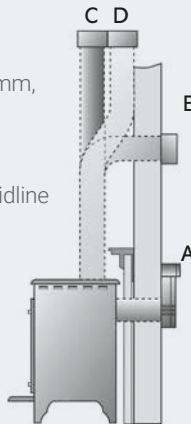
Balanced Flue  
(No chimney required)

Air for combustion is drawn in through the outer pipe whilst the inner pipe removes the combustion gases to the exterior of the property. Depending on the stove selected, the twin-walled pipe may exit horizontally through an external wall or vertically through the roof. Gazco offers a comprehensive range of balanced flue system components.



## Balanced Flue System Options

- A** - Rear outlet (max 600mm wall thickness).
- B** - Top outlet/up and out (min rise 500mm, max 3m), horizontal (min 250mm, max 5m). An additional bend can be incorporated in to the horizontal section of the 'up and out', dependent upon a 1m min vertical rise.
- C** - Top outlet/vertical (min 3m, max 10m). Vogue Midi T / Vogue Midi T Midline (Min 2m, Max 10m)
- D** - Top outlet/vertical with offset (min to first bend 500mm, max flue length 10m).



Ask your retailer for full technical details or see our Balanced Flue System brochure at [www.gazco.com](http://www.gazco.com).

## Electric Stoves

(No chimney required)

Our range of electric stoves incorporates our Chromalight Immersive LED technology and do not have any chimney or flue requirements. From the contemporary collection of Vogue stoves to the more traditional Sheraton models, these electric stoves can be enjoyed with or without the heat and operated using a remote control, so you can enjoy the warmth and ambience from the comfort of your favourite chair!



## No Air Vent Required (UK)

All stoves shown with this symbol, boast the advantage of not normally requiring an air vent\* where the air permeability is greater than 5.0m<sup>3</sup>/hr/m<sup>2</sup>. Please discuss this in full with your local Gazco retailer.



*\*Requirements in the Republic of Ireland are different.*

Loft with Woodgrain  
Sandstone Log Store





# Remote Controls

## Gas Stoves

Gazco was the first UK company to introduce remote controls for gas fires. Today, our remote control systems for our gas stoves feature advanced technologies and offer the ultimate in convenience.

### Standard upgradeable remote control



Once the pilot light has been ignited manually you can vary the flame height and heat output from the comfort of your armchair.

*(Upgradeable option for Marlborough2, Stockton, Huntingdon, and Vogue gas stoves)*

### Programmable Thermostatic upgradeable remote control



This deluxe version has two additional features. The first allows you to thermostatically control the room temperature whilst the second allows you to programme your stove to switch itself on and off twice a day.

*(Upgradeable option for Marlborough2, Stockton, Huntingdon, and Vogue gas stoves)*

### Programmable Thermostatic remote control *(Supplied with Loft & Studio Freestanding)*



This advanced remote is loaded with exciting features that make it possible to programme your stove to perfectly complement your lifestyle. Not only can you ignite, extinguish and thermostatically control your stove, this remote control system benefits from advanced technology that gives you the option to create an automatic, intelligent heating program that means your home is comfortable and cosy at any time of the day or night.

### Fully-sequential thermostatic remote control *(Supplied with Gas Chesterfield 5 and Sheraton 5)*



Gazco's fully-sequential thermostatic control system allows you to ignite your stove in seconds as well as adjust flame height from the comfort of your sofa. You can also set your stove to be controlled thermostatically to maintain your preferred room temperature.

## Electric Stoves

Our range of Electric Stoves are as easy to install as plugging in and switching on! They are available in a range of designs from traditional to modern, to suit all homes and tastes.

### The Gazco Programmable Thermostatic Eco Handset



All Gazco Electric stoves features Gazco's Eco remote control, which provides complete control over the stove's Chromalight flame colours and lighting effects, as well as heating and energy saving features. Ambient heating control allows you to set the optimum temperature for your room between 17°C and 25°C, with the stove automatically managing heating power to reach the chosen temperature as efficiently as possible. Daily and weekly heating lets you program your stove to suit your lifestyle and can be easily advanced or delayed without disrupting scheduling.

Energy saving features such as Open Window Detection save energy by turning off the heat if a sudden drop in room temperature of 4°C or more is detected, for example when a door or window is opened. Heating can be easily resumed by pressing the heat button again or closing the window.



*Vogue Midi Electric with Crystal-Ice fuel effect on Blue flame setting*

# Additional Information

## Product Improvement & Brochure Photography

Gazco pursue a policy of continuous product improvement, therefore, whilst our products are correct at the time of the photography, we reserve the right to make alterations and amendments. Exact product details should be discussed with your retailer at the time of purchase.

All fire and flame photography has been taken from genuine products; however, the exact appearance of the flame picture for any appliance will vary depending on the nature of the flue type, installation surroundings, local geographical features and the way in which the appliance is operated. Owing to variations in studio lighting and printing inks, the colours of stoves illustrated in this brochure may differ slightly from actual models.

Given that building regulations are subject to constant change, some of the photography in this brochure may not comply with the requirements of the latest Building Regulations and you should always check your proposed installation arrangement with your qualified gas installer before proceeding. Certain settings in this brochure are dependent on the use of heat shields to reduce the required separation from combustible material.

**Please note:** The operation and appearance of gas appliances depends on variable factors such as the gas pressure supplied.

## Installation and Safety

Gazco gas stoves must be fitted by a qualified gas installer (Gas Safe registered in the United Kingdom or Bord Gais registered in the Republic of Ireland) who should also verify the proposed site conditions are fully suitable for the product selected. Complete installation instructions for many models can be obtained prior to purchase by downloading them from [www.gazco.com](http://www.gazco.com).

Please note that all parts of these stoves become extremely hot during operation and can result in serious injury and burns if touched. It is therefore recommended that a fireguard complying with BS 8423:2002 is used in the presence of young children, the elderly or infirm.

## Technical Specifications

All specifications given in the main part of this brochure are approximate. Actual specifications for each individual product will vary according to the exact model and are given on pages 62 onwards. Your Gazco retailer will be pleased to help explain specific model specifications and provide any further information you may require, or you can view/download specification sheets from [www.gazco.com](http://www.gazco.com).

## Servicing and Support

To keep your gas stove looking and performing at it's best, it must be serviced annually. This service must be undertaken by a GasSafe (Great Britain), CORGI (Northern Ireland) or Bord Gáis (Republic of Ireland) approved engineer and your retailer can organise this for you. Alternatively, Gazco offer a manufacturer's premium service with our friendly team of qualified engineers which can be booked at [www.gazco.com/support](http://www.gazco.com/support).



## Warranty information

Your Gazco Expert Retailer will provide you with a Two Year Warranty for your new gas or electric stove. The warranty for gas stoves can be extended to a period of Five years by registering your stove with Gazco. Please note, these warranties exclude certain consumable parts. Stoves purchased outside of Gazco's Expert Retailer Network will carry a standard One Year non-extendable Warranty or the minimum statutory warranty for your country. Full warranty terms and conditions are available to view at [www.gazco.com](http://www.gazco.com).



# WIN THE COST OF YOUR PRODUCT BACK!\*

For further home inspiration you can view real life installations at our Customer Showcase page and share your thoughts and photos of your new stove or fire installation to enter our draw!

- We will publish your entry on our Customer Showcase
- You will be entered into a draw for the chance to win the cost of your product back.
- **Gain a second entry** by registering your product online for your free extended warranty at [gazco.com/registration](http://gazco.com/registration)

View real life installations and submit your review at: [gazco.com/customershowcase](http://gazco.com/customershowcase)

\*Terms and conditions apply. See online for details.

**PREVIOUS WINNER!**

"We are still over the moon that we won the competition"

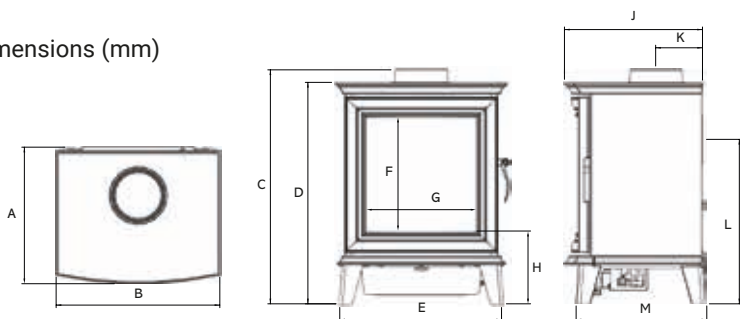


# Technical Information

The below information is to assist in your choice of a suitable Gazco stove. This is not intended to be all the information required to install your stove. This can be obtained from your local Gazco retailer or you can download the full installation instructions at [www.gazco.com](http://www.gazco.com)

## Chesterfield 5 Gas and Electric

Dimensions (mm)



	A	B	C	D	E	F	G	H	J	K	L	M	Weight
<b>Chesterfield 5 Gas (CF)</b>	391	472	650	614	450	316	304	201	383	130	456	358	62kg
<b>Chesterfield 5 Gas (BF)</b>	391	472	672	614	450	316	304	201	383	146	448	358	63kg
<b>Chesterfield 5 Electric</b>	391	472	-	614	450	316	304	201	383	-	-	358	56kg

Recommended clearances between gas stove and other surfaces: top 9" (225mm), sides 6" (150mm), rear must be a minimum of 2" (50mm).

Product Code	Colour	Flue Type	Fuel Type	Heat Input	Heat Output	Efficiency	Energy Efficiency Class
⊗ 505-003	Matt Black	Conventional	Nat.Gas	5.80kW	4.00kW	76%	D
⊗ 505-402	Matt Black	Conventional	LPG	5.40kW	3.80kW	76%	D
⊗ 505-051	Matt Black	Balanced	Nat.Gas	4.70kW	3.80kW	90.6%	B
⊗ 505-633	Matt Black	Balanced	LPG	4.80kW	4.00kW	90.6%	B
⊗ 605-850	Matt Black	-	Electric	-	1.50kW	-	-

### Options for Gas Chesterfield 5

#### Product Code

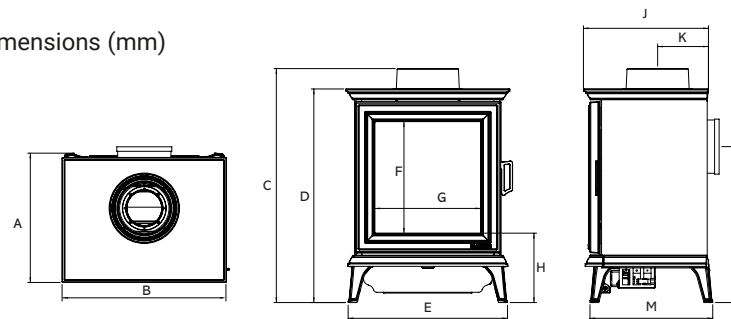
Linerless Flue Kit

**8736**

**Stove Flue Pipe** Balanced flue versions of the Gas Chesterfield 5 must only use the 6" stainless steel flue provided. Gazco recommends the use of 5" matt black enamelled stove pipe with the conventional flue version Chesterfield 5 stove.

## Sheraton 5 Gas and Electric

Dimensions (mm)



	A	B	C	D	E	F	G	H	J	K	L	M	Weight
<b>Sheraton 5 Gas (CF)</b>	371	472	650	614	458	320	304	199	360	130	456	353	61kg
<b>Sheraton 5 Gas (BF)</b>	371	472	672	614	458	320	304	199	360	146	448	353	62kg
<b>Sheraton 5 Electric</b>	371	472	-	614	458	320	304	199	360	-	-	358	55kg

Recommended clearances between gas stove and other surfaces: top 9" (225mm), sides 6" (150mm), rear must be a minimum of 2" (50mm).

Product Code	Colour	Flue Type	Fuel Type	Heat Input	Heat Output	Efficiency	Energy Efficiency Class
⊗ 505-014	Matt Black	Conventional	Nat.Gas	5.80kW	4.00kW	76%	D
⊗ 505-428	Matt Black	Conventional	LPG	5.40kW	3.80kW	76%	D
⊗ 505-215	Matt Black	Balanced	Nat.Gas	4.70kW	3.80kW	90.6%	B
⊗ 505-537	Matt Black	Balanced	LPG	4.80kW	4.00kW	90.6%	B
⊗ 605-832	Matt Black	-	Electric	-	1.50kW	-	-

### Options for Gas Sheraton 5

#### Product Code

Linerless Flue Kit

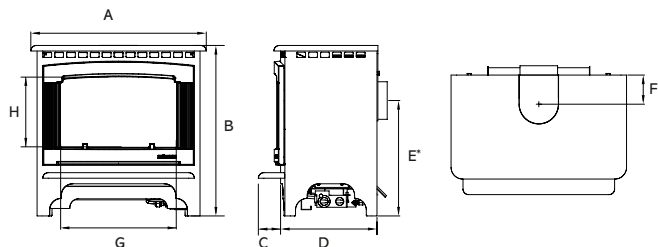
**8736**

**Stove Flue Pipe** Balanced flue versions of the Gas Sheraton 5 must only use the 6" stainless steel flue provided. Gazco recommends the use of 5" matt black enamelled stove pipe with the conventional flue version Sheraton 5 stove.

# Technical Information

The below information is to assist in your choice of a suitable Gazco stove. This is not intended to be all the information required to install your stove. This can be obtained from your local Gazco retailer or you can download the full installation instructions at [www.gazco.com](http://www.gazco.com)

## Marlborough2 Gas and Electric



Recommended clearances between stove and other surfaces: top 9" (225mm), sides 6" (150mm), rear must be a minimum of 2" (50mm).

\* Small balanced flue models are rear flue exit only

### Dimensions (mm)

	A	B	C	D	E	F	G	H	Weight
Medium Marlborough2 Gas (CF)	600	583	76	330	395	103	232	211	57kg
Medium Marlborough2 Gas (BF)	600	583	76	330	445	129	398	241	67kg
Small Marlborough2 Electric	429	558	75	280	-	-	232	211	33kg
Medium Marlborough2 Electric	600	583	76	330	-	-	398	241	50kg

Product Code	Model	Flue Type	Fuel Type	Heat Input	Heat Output	Efficiency	Energy Efficiency Class
⊗ 559-018	Medium	Conventional	Nat Gas	6.60kW	4.60kW	78%	E
⊗ 559-456	Medium	Conventional	LPG	6.70kW	4.80kW	78%	E
⊗ 559-033	Medium	Balanced	Nat Gas	6.60kW	5.40kW	90.8%	B <sup>#</sup>
⊗ 559-471	Medium	Balanced	LPG	6.60kW	5.50kW	90.8%	B <sup>#</sup>
⊗ 659-085	Small	-	Electric	-	2.00kW	-	-
⊗ 659-112	Medium	-	Electric	-	2.00kW	-	-

### Gas Remote Control Options

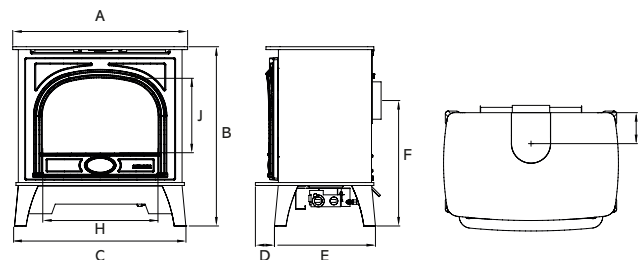
	Product Code
Standard Upgradeable Remote Control	8455
Programmable Thermostatic Upgradeable Remote Control	8456

# When upgraded with a Programmable Thermostatic Control (8456)

### Flue Collars

	Product Code
Optional Top Exit Flue Collar (CF)	8549
Optional Top Exit Flue Collar (BF)	8548

## Stockton2 & Stockton 5 Gas and Electric



Recommended clearances between stove and other surfaces: top 9" (225mm), sides 6" (150mm), rear must be a minimum of 2" (50mm).

\*Small balanced flue stoves are rear exit only.

### Dimensions (mm)

	A	B	C	D	E	F	G	H	J	Weight
Small Stockton2 Gas (CF)	438	525	418	50	290	348	111	232	220	52kg
Stockton 5 Gas (CF)	481	544	-	64	273	380	92	267	212	55kg
Medium Stockton2 Gas (CF)	601	617	589	65	347	432	107	398	258	78.5kg
Small Stockton2 Gas (BF)*	438	525	418	50	290	368	111	232	220	53kg
Stockton 5 Gas (BF)	481	544	-	64	273	401	139	267	212	55kg
Medium Stockton2 Gas (BF)	601	617	589	65	347	482	136	398	258	87kg

Small Stockton2 Electric	438	525	418	50	290	-	-	232	220	50kg
Stockton 5 Electric	481	544	-	64	273	-	-	-	-	55kg
Medium Stockton2 Electric	601	617	589	65	347	-	139	398	258	72kg

Product Code	Model	Flue Type	Fuel Effect	Fuel Type	Heat Input	Heat Output	Efficiency	Energy Efficiency Class
⊗ 504-053	Small	Conventional	Logs	Nat Gas	3.30kW	2.30kW	76%	E
⊗ 504-078	Small	Balanced	Logs	Nat Gas	3.20kW	2.50kW	85.1%	C <sup>#</sup>
⊗ 8575MCUC	5	Conventional	Coal	Nat Gas	4.60kW	3.00kW	73%	E
⊗ P8575MCUC	5	Conventional	Coal	LPG	4.40kW	3.00kW	73%	E
⊗ 8563LUC	5	Balanced	Logs	Nat Gas	4.25kW	3.50kW	91.8%	B <sup>#</sup>
⊗ P8563LUC	5	Balanced	Logs	LPG	4.10kW	3.50kW	84.5%	B <sup>#</sup>
⊗ 504-066	Medium	Conventional	Logs	Nat Gas	6.60kW	4.60kW	78%	E
⊗ 504-522	Medium	Conventional	Logs	LPG	6.70kW	4.80kW	78%	E
⊗ 504-085	Medium	Balanced	Logs	Nat Gas	6.60kW	5.40kW	90.8%	B <sup>*</sup>
⊗ 504-547	Medium	Balanced	Logs	LPG	6.60kW	5.50kW	90.8%	B <sup>#</sup>
⊗ 604-144	Small	-	Various	Electric	-	2.00kW	-	-
⊗ 604-172	5	-	Various	Electric	-	2.00kW	-	-
⊗ 604-203	Medium	-	Various	Electric	-	2.00kW	-	-

### Stove Flue Pipe

Balanced flue versions of the Gas Stockton must only use the 6" stainless steel flue provided. Gazco recommends the use of 5" Matt Black enamelled stove pipe with the conventional flue version.

# When upgraded with a Programmable Thermostatic Control (8456)

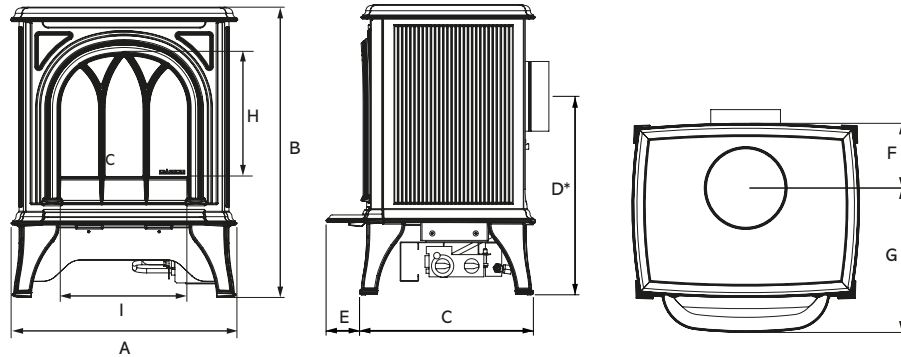
**Stove Flue Pipe** Balanced flue versions of the Gas Marlborough2 must only use the 6" stainless steel flue provided. Gazco recommends the use of 5" matt black enamelled stove pipe with the conventional flue version Marlborough2 stove.



# Technical Information

The below information is to assist in your choice of a suitable Gazco stove. This is not intended to be all the information required to install your stove. This can be obtained from your local Gazco retailer or you can download the full installation instructions at [www.gazco.com](http://www.gazco.com)

## Huntingdon 20 Gas and Electric



Recommended clearances between stove and other surfaces: top 9" (225mm), sides 6" (150mm), rear must be a minimum of 2" (50mm).

\*Huntingdon 20 Balanced Flue is Rear Exit only.

### Dimensions (mm)

	A	B	C	D	E	F	G	H	I	Weight
Huntingdon 20 Gas (CF)	416	535	320	366	62	119	266	223	234	45kg
Huntingdon 20 Gas (BF)*	416	535	320	386	62	160	225	223	234	45kg
Huntingdon 20 Electric	413	536	324	-	62	-	-	223	234	35kg

### Remote Controls

	Product Code
Standard Upgradeable Remote Control	8455
Programmable Thermostatic Upgradeable Remote Control	8456

### Flue Collars

Matt Black Flue collar, Conventional Flue, Huntingdon	999-010
---	---------

**Stove Flue Pipe** Balanced flue versions of the Gas Huntingdon 20 must only use the 6" stainless steel flue provided. For additional Matt Black flue collars, please see the Gazco Stoves price list. Gazco recommends the use of 5" Matt Black enamelled stove pipe with the conventional flue version.

### Gas & Electric Huntingdon 20 Tracery Door

Product Code	Colour	Door Style	Flue Type	Fuel Type	Heat Input	Heat Output	Efficiency	Energy Efficiency Class
⊗ 515-035	Matt Black	Tracery	Conventional	Nat Gas	3.30kW	2.30kW	76%	E
⊗ 615-258	Matt Black	Tracery	-	Electric	-	2.00kW	-	-

### Gas & Electric Huntingdon 20 Clear Door

⊗ 515-071	Matt Black	Clear	Conventional	Nat Gas	3.30kW	2.30kW	76%	E
⊗ 615-011	Matt Black	Clear	-	Electric	-	2.00kW	-	-

# When upgraded with a Programmable Thermostatic Control (8456)

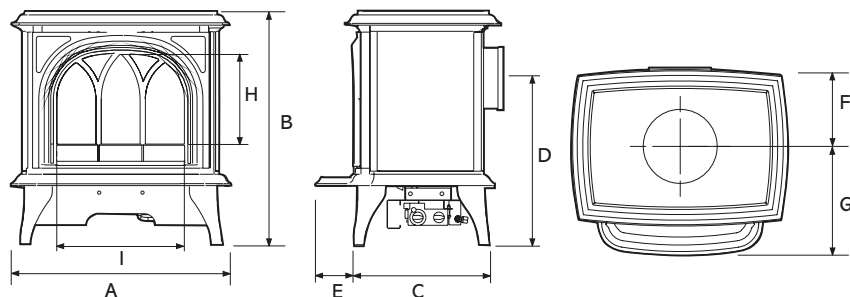


Huntingdon 20 Gas Clear Door in Matt Black

# Technical Information

The below information is to assist in your choice of a suitable Gazco stove. This is not intended to be all the information required to install your stove. This can be obtained from your local Gazco retailer or you can download the full installation instructions at [www.gazco.com](http://www.gazco.com)

## Huntingdon 30 Gas and Electric



Recommended clearances between stove and other surfaces: top 9" (225mm), sides 6" (150mm), rear must be a minimum of 2" (50mm).

The Huntingdon 30 has a choice of top or rear flue exit

### Dimensions (mm)

	A	B	C	D	E	F	G	H	I	Weight
Huntingdon 30 Gas (CF)	560	592	351	403	96	174	304	230	323	72kg
Huntingdon 30 Gas (BF)	560	592	351	422	96	195	278	230	323	72kg
Huntingdon 30 Electric	560	592	351	-	99	-	-	230	323	52kg

### Remote Controls

	Product Code
Standard Upgradeable Remote Control	8455
Programmable Thermostatic Upgradeable Remote Control	8456

### Flue Collars

Matt Black Flue collar, Conventional Flue, Huntingdon	999-010
Matt Black Flue collar, Balanced Flue, Huntingdon	999-347

**Stove Flue Pipe** Balanced flue versions of the Gas Huntingdon 30 must only use the 6" stainless steel flue provided. For additional Matt Black flue collars, please see the Gazco Stoves price list. Gazco recommends the use of 5" Matt Black enamelled stove pipe with the conventional flue version.

### Gas & Electric Huntingdon 30 Tracery Door

Product Code	Colour	Door Style	Flue Type	Fuel Type	Heat Input	Heat Output	Efficiency	Energy Efficiency Class
⊗ 515-004	Matt Black	Tracery	Conventional	Nat Gas	4.55kW	3.10kW	75%	E
⊗ 515-413	Matt Black	Tracery	Conventional	LPG	4.35kW	3.00kW	75%	E
⊗ 515-257	Matt Black	Tracery	Balanced	Nat Gas	4.30kW	3.70kW	95.4%	A#
⊗ 515-561	Matt Black	Tracery	Balanced	LPG	4.30kW	3.80kW	95.4%	A#
⊗ 615-285	Matt Black	Tracery	-	Electric	-	2.00kW	-	-

### Gas & Electric Huntingdon 30 Clear Door

⊗ 515-009	Matt Black	Clear	Conventional	Nat Gas	4.55kW	3.10kW	75%	E
⊗ 515-453	Matt Black	Clear	Conventional	LPG	4.35kW	3.00kW	75%	E
⊗ 515-139	Matt Black	Clear	Balanced	Nat Gas	4.30kW	3.70kW	95.4%	A#
⊗ 515-726	Matt Black	Clear	Balanced	LPG	4.30kW	3.80kW	95.4%	A#
⊗ 615-094	Matt Black	Clear	-	Electric	-	2.00kW	-	-

# When upgraded with a Programmable Thermostatic Control (8456)



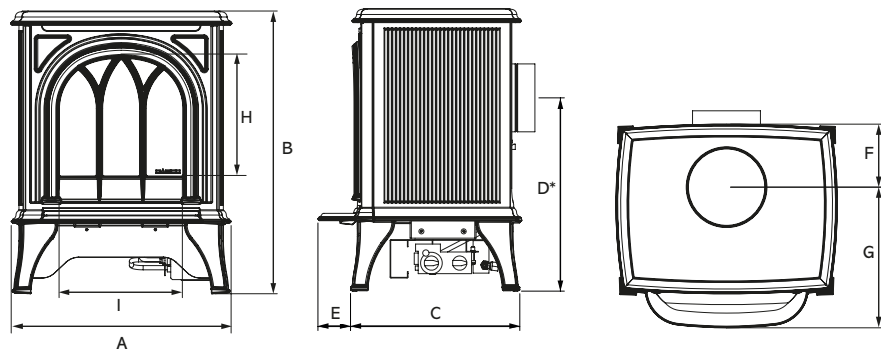
Electric Huntingdon 30 in Matt Black.



# Technical Information

The below information is to assist in your choice of a suitable Gazco stove. This is not intended to be all the information required to install your stove. This can be obtained from your local Gazco retailer or you can download the full installation instructions at [www.gazco.com](http://www.gazco.com)

## Huntingdon 40 Gas and Electric



Recommended clearances between stove and other surfaces: top 9" (225mm), sides 6" (150mm), rear must be a minimum of 2" (50mm).

\*Huntingdon 20 Balanced Flue is Rear Exit only.

### Dimensions (mm)

	A	B	C	D	E	F	G	H	I	Weight
Huntingdon 40 Gas (CF)	641	653	382	460	99	154	350	265	402	71kg
Huntingdon 40 Gas (BF)	641	653	382	510	99	183	321	265	402	75kg
Huntingdon 40 Electric	641	653	397	-	99	-	-	265	402	59.5kg

### Remote Controls for Gas Huntingdon 40

	Product Code
Standard Upgradeable Remote Control	8455
Programmable Thermostatic Upgradeable Remote Control	8456

### Flue Collars

Matt Black Flue collar, Conventional Flue, Huntingdon	999-010
Matt Black Flue collar, Balanced Flue, Huntingdon	999-347

**Stove Flue Pipe** Balanced flue versions of the Gas Huntingdon 40 must only use the 6" stainless steel flue provided. For additional Matt Black flue collars, please see the Gazco Stoves price list. Gazco recommends the use of 5" Matt Black enamelled stove pipe with the conventional flue version.

### Gas & Electric Huntingdon 40 Tracery Door

Product Code	Colour	Door Style	Flue Type	Fuel Type	Heat Input	Heat Output	Efficiency	Energy Efficiency Class
515-161	Matt Black	Tracery	Conventional	Nat Gas	6.60kW	4.60kW	78%	E
515-565	Matt Black	Tracery	Conventional	LPG	6.70kW	4.80kW	78%	E
515-224	Matt Black	Tracery	Balanced	Nat Gas	6.60kW	5.40kW	90.8%	B#
515-628	Matt Black	Tracery	Balanced	LPG	6.60kW	5.50kW	90.8%	B#
615-302	Matt Black	Tracery	-	Electric	-	2.00kW	-	-

### Gas & Electric Huntingdon 40 Clear Door

515-188	Matt Black	Clear	Conventional	Nat Gas	6.60kW	4.60kW	78%	E
515-592	Matt Black	Clear	Conventional	LPG	6.70kW	4.80kW	78%	E
515-251	Matt Black	Clear	Balanced	Nat Gas	6.60kW	5.40kW	90.8%	B#
515-673	Matt Black	Clear	Balanced	LPG	6.60kW	5.50kW	90.8%	B#
615-123	Matt Black	Clear	-	Electric	-	2.00kW	-	-

# When upgraded with a Programmable Thermostatic Control (8456)

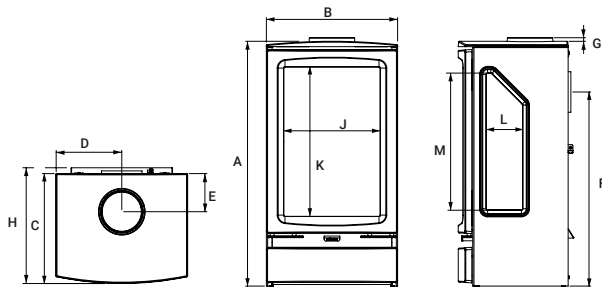


Electric Huntingdon 40 in Matt Black.

# Technical Information

The below information is to assist in your choice of a suitable Gazco stove. This is not intended to be all the information required to install your stove. This can be obtained from your local Gazco retailer or you can download the full installation instructions at [www.gazco.com](http://www.gazco.com)

## Vogue Gas and Electric



Recommended clearances between stove and other surfaces: top 225mm, sides 150mm rear must be a minimum of 50mm.

The complete range of Gas Vogue stoves have a choice of top or rear flue exit.

**Stove Benches** Vogue stoves can also be placed on one of our stove benches. Please see page 66 for further information.

### Vogue Midi Gas & Electric Dimensions (mm)

	A	B	C	D	E	F	G	H	J	K	L	M	Weight
Vogue Gas Midi (CF)	639	416	348	208	121	478	11	-	306	337	-	-	42kg
Vogue Gas Midi (BF)	639	416	348	208	137	470	11	-	306	337	-	-	40kg
Vogue Gas Midi Midline (CF)	791	416	348	208	121	630	11	-	306	337	-	-	47kg
Vogue Gas Midi Midline (BF)	791	416	348	208	137	622	11	-	306	337	-	-	47kg
Vogue Electric Midi	639	416	348	-	-	-	-	-	306	337	-	-	42kg
Vogue Electric Midi Midline	791	416	348	-	-	-	-	-	306	337	-	-	48kg

### Vogue Midi T Gas & Electric Dimensions (mm)

	A	B	C	D	E	F	G	H	J	K	L	M	Weight
Vogue Gas Midi T (CF)	776	416	348	208	121	615	11	367	306	475	115	434	54kg
Vogue Gas Midi T (BF)	776	416	348	209	137	607	11	-	306	475	115	434	55kg
Vogue Gas Midi T Midline (CF)	928	416	348	208	121	767	11	367	306	475	115	434	61kg
Vogue Gas Midi T Midline (BF)	928	416	348	209	137	759	11	-	306	475	115	434	62kg
Vogue Electric Midi T	776	418	349	-	-	-	-	-	306	475	115	434	38kg
Vogue Electric Midi T Midline	928	418	349	-	-	-	-	-	306	475	115	434	44kg

### Options for Gas Vogue

	Product Code
Standard Upgradeable Remote Control	8455
Programmable Thermostatic Upgradeable Remote Control	8456
Linerless Flue Kit	8736

## Vogue Midi Gas & Electric

Product Code	Model	Flue Type	Fuel Type	Heat Input	Heat Output	Efficiency	Energy Efficiency Class
563-123	Midi	Conventional	Nat.Gas	6.20kW	4.20kW	76%	E
563-426	Midi	Conventional	LPG	6.20kW	4.30kW	76%	E
563-016	Midi	Balanced	Nat.Gas	4.80kW	3.90kW	90.6%	B#
563-400	Midi	Balanced	LPG	4.80kW	4.00kW	90.6%	B#
563-392	Midi Midline	Conventional	Nat.Gas	6.20kW	4.20kW	76%	E
563-258	Midi Midline	Balanced	Nat.Gas	4.80kW	3.90kW	90.6%	B#
663-806	Midi Electric	-	Electric	-	1.50kW	-	-
663-834	Midi Midline Electric	-	Electric	-	1.50kW	-	-

## Vogue Midi T Gas & Electric (3 Sided)

563-180	Midi T, 3 Sided	Conventional	Nat.Gas	6.20kW	4.40kW	78%	E
563-025	Midi T, 3 Sided	Balanced	Nat.Gas	5.70kW	4.80kW	94.3%	A#
563-224	Midi T Midline, 3 Sided	Conventional	Nat.Gas	6.20kW	4.40kW	78%	E
563-300	Midi T Midline, 3 Sided	Balanced	Nat.Gas	5.70kW	4.80kW	94.3%	A#
663-819	Midi T Electric, 3 Sided	-	Electric	-	1.50kW	-	-
663-851	Midi T Midline Electric, 3 Sided	-	Electric	-	1.50kW	-	-



\*360mm Depth when fitted with wall bracket

# When upgraded with a Programmable Thermostatic Control (8456)

**Stove Flue Pipe** Balanced flue versions of the Gas Vogue Midi and Midi T must only use the 6" stainless steel flue provided. Gazco recommends the use of 5" matt black enamelled stove pipe with the conventional flue version of the Gas Vogue Midi and Midi T.



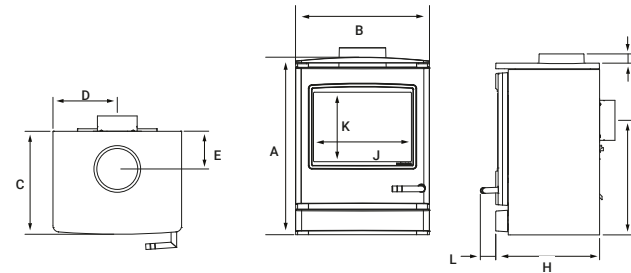
# Technical Information

The below information is to assist in your choice of a suitable Gazco stove. This is not intended to be all the information required to install your stove. This can be obtained from your local Gazco retailer or you can download the full installation instructions at [www.gazco.com](http://www.gazco.com)



CL8 Gas Stove on 100 Low Bench

## CL5 & CL8 Gas and Electric



Recommended clearances between stove and other surfaces: top 225mm, sides 150mm rear must be a minimum of 50mm.

The complete range of CL stoves have a choice of top or rear flue exit.<sup>A</sup>

**Stove Benches** CL stoves can also be placed on one of our stove benches. Please see page 66 for further information.

### CL3, CL5 & CL8 Gas & Electric Dimensions (mm)

	A	B	C	D	E	F	G	H	J	K	L	Weight
<b>CL5 Gas (CF)</b>	551	416	333	208	122	368	30	333	314	244	49	47kg
<b>CL5 Gas (BF)</b>	551	416	333	208	142	388	35	333	314	244	49	47kg
<b>CL8 Gas (CF)</b>	604	553	365	277	99	411	20	364	427	274	48	50kg
<b>CL8 Gas (BF)</b>	604	553	365	277	129	462	51	364	427	274	48	60kg
<b>CL5 Electric</b>	552	416	333	-	-	-	-	-	311	244	-	44kg
<b>CL5 Electric</b>	604	553	374	-	-	-	-	-	247	274	-	47kg

Product Code	Model	Flue Type	Fuel Type	Fuel Exit	Heat Input	Heat Output	Efficiency	Energy Efficiency Class
⊗ YM581-059	CL5	Conventional	Nat. Gas	Rear	4.55kW	3.10kW	75%	E
⊗ YM581-090	CL5	Conventional	Nat. Gas	Top	4.55kW	3.10kW	75%	E
⊗ YM581-100	CL5	Balanced	Nat. Gas	Rear	4.30kW	3.70kW	95.40%	A <sup>#</sup>
⊗ YM581-114	CL5	Balanced	Nat. Gas	Top	4.30kW	3.70kW	95.40%	A <sup>#</sup>
⊗ YM581-126	CL8	Conventional	Nat. Gas	Rear	6.60kW	4.60kW	78.0%	E
⊗ YM581-141	CL8	Conventional	Nat. Gas	Top	6.60kW	4.60kW	78.0%	E
⊗ YM581-174	CL8	Balanced	Nat. Gas	Rear	6.80kW	5.40kW	90.8%	B <sup>#</sup>
⊗ YM581-207	CL8	Balanced	Nat. Gas	Top	6.80kW	5.40kW	90.8%	B <sup>#</sup>
⊗ YM681-331	CL5	-	Electric	-	-	2.00kW	-	-
⊗ YM681-374	CL8	-	Electric	-	-	2.00kW	-	-

### Remote control options for CL Gas

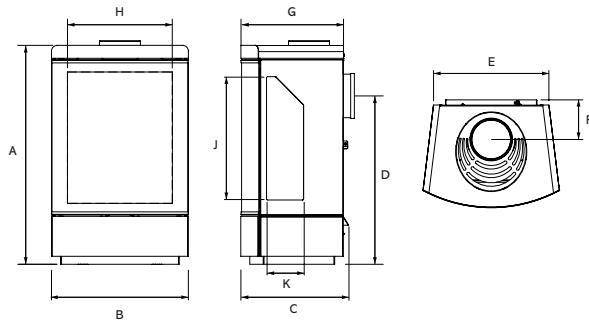
Standard Upgradeable Remote Control	<b>8455</b>
Programmable Thermostatic Upgradeable Remote Control	<b>8456</b>

<sup>#</sup> When upgraded with a Programmable Thermostatic Control (8456)

# Technical Information

The below information is to assist in your choice of a suitable Gazco stove. This is not intended to be all the information required to install your stove. This can be obtained from your local Gazco retailer or you can download the full installation instructions at [www.gazco.com](http://www.gazco.com)

## Loft Gas



Recommended clearances between stove and other surfaces: top 225mm, sides 200mm, rear must be a minimum of 50mm.

### Dimensions (mm)

	A	B	C	D	E	F	G	H	J	K
Loft	770	481	379	CF:600 / BF:592	406	CF:139 / BF:137	359	369	434	130
Loft with Plinth	815	481	379	CF:646 / BF:638	406	CF:139 / BF:137	359	369	434	130
Loft with Top Section	1412	481	379	CF:600 / BF:592	406	CF:139 / BF:137	359	369	434	130
Loft with Plinth & Top Section	1457	481	379	CF:646 / BF:638	406	CF:139 / BF:137	359	369	434	130
Loft with Log Store	1152	481	379	CF:982 / BF:974	406	CF:139 / BF:137	359	369	434	130
Loft with Log Store & Top Section	1793	481	379	CF:982 / BF:974	406	CF:139 / BF:137	359	369	434	130
Loft Wall Mounted	770	481	399	BF:592	406	BF:137	359	369	434	130
Loft Wall Mounted & Top Section	1412	480	399	BF:592	406	BF:137	359	369	434	130

Product Code	Flue Type	Fuel Type	Heat Input	Heat Output	Efficiency	Energy Efficiency Class	Weight
⊗ 548-006	Conventional	Nat.Gas	6.20kW	4.40kW	78%	D	56kg
⊗ 548-443	Conventional	LPG	5.90kW	4.20kW	78%	D	56kg
⊗ 548-032	Balanced	Nat.Gas	5.30kW	4.50kW	94.3%	A	60kg
⊗ 548-457	Balanced	LPG	4.80kW	4.20kW	94.3%	A	60kg

### Styling Options

948-191	Loft - Wall Mounting Kit
948-016	Loft Plinth - Steel Graphite
948-030	Loft Log Store - Steel Graphite
948-041	Loft Top Section - Steel Graphite
948-102	Loft Plinth - Castillo Sandstone*
948-083	Loft Log Store - Woodgrain Sandstone*
948-110	Loft Log Store - Castillo Sandstone*

### Accessories

999-620	Remote System Mains Adaptor
8736	Linerless Flue Kit

**Stove Benches** Loft stoves can also be placed on one of our stove benches. Please see page 66 for further information.

\*Whilst Stocks Last

**Top Section:** Please note, when fitted with a Top Section, top exit 'up and out' installations are not compatible if termination is below the height of the Top Box. For all horizontal installations that fall within the height of the Top Box, a rear exit termination is required.

**Stove Flue Pipe** Balanced flue versions of the Loft must only use the 6" stainless steel flue provided. Gazco recommends the use of 5" matt black enamelled stove pipe with the conventional flue version of the Loft.



Loft with Steel Log Store Base



# Also Available from the Stovax Heating Group

## Stovax Wood & Multi-fuel Stoves

Stovax, our solid fuel division, offer a huge range of beautiful stoves that burn wood and other solid fuels. Designed and engineered here in the UK, these appliances offer a natural and practical home heating solution.

Choose from a stunning range of modern and traditional styles in various sizes and heat outputs to suit your home. For more details speak with your local retailer or visit [www.stovax.com](http://www.stovax.com).



*Stovax Sheraton 5 woodburning stove shown with Cavendish Bolection Limestone mantel*



*Gazco eReflex 150RW with Oak Log effect, shown as a three-sided installation. Shown with optional Mood Lighting System.*

## Gazco Gas & Electric Fires

In addition to the wide selection of stoves shown in this brochure, Gazco also offers a number of gas and electric fires, which are covered in a separate dedicated brochures. Whether you want to achieve a contemporary look or traditional interior, Gazco has the perfect solution whatever your style or budget.

Ask your local retailer for more information or download the brochure from [www.gazco.com](http://www.gazco.com).



*Gazco Riva2 600HL Edge with EchoFlame Black Glass Lining*

# onyx

## Luxury Fires and Stoves

In addition to the Gazco brand, the Stovax Heating Group is proud to offer a new and growing premium collection of fires and stoves from luxury brand, Onyx.

This showroom exclusive brand is available from a carefully selected group of Approved Onyx Retailers, and includes Onyx Avanti Gas fires. Combining sleek exteriors with stunningly realistic flames and log-effects, Avanti Gas fires create a breathtaking centrepiece. They are available in two sizes, and also as an electric model.

To find out more about the Onyx brand and experience, visit [www.onyxfires.com](http://www.onyxfires.com).

View the range  
at [onyxfires.com](http://onyxfires.com)



Onyx Eclipse 60HL Gas







Huntingdon 40 Gas in Matt Black



Vogue Midi T Midline Electric with Log & Pebble Fuel effects and Amber flame setting



Gazco Limited, Spitfire Avenue, Skypark, Clyst Honiton, Exeter, EX5 2FR

Trade Sales

Tel: 01392 261999

Email: info@gazco.com

gazco.com



Gazco gratefully acknowledges the assistance of the following companies with photographic settings:

www.furniturevillage.co.uk; www.romo.com; www.debenhams.com; www.theorangetree.co.uk; www.justshutters.co.uk; www.homebase.co.uk; www.lauraashley.com; www.loaf.com; www.nestinteriors.com; www.graceandgloryhome.co.uk; www.stbridgetnurseryseries.co.uk; www.johnlewis.com; www.wayfair.com; www.veryvintagehire.co.uk; www.carpetright.co.uk; www.beachbros.co.uk; www.birlea.com; www.originalstyle.com; www.amtico.com; www.chunkymonkeyfurniture.co.uk; www.wallsandfloors.co.uk; www.desenio.co.uk; www.ikea.com;

Paper sourced from sustainable forests and printed using vegetable-based inks • © All material copyright Gazco Ltd 2024 E & O E • A member of the Stovax group

Gazco pursue a policy of continuous product improvement, therefore, whilst our products are correct at the time of the photography, we reserve the right to make alterations and amendments. Exact product details should be discussed with your retailer at the time of purchase.

Find Your Local Expert Retailer

You can find your nearest retailer by visiting:  
[www.gazco.com/retailers](http://www.gazco.com/retailers)



Your Gazco stockist:

Blank white box for listing stockists.

Ref: GZSTOV0924

